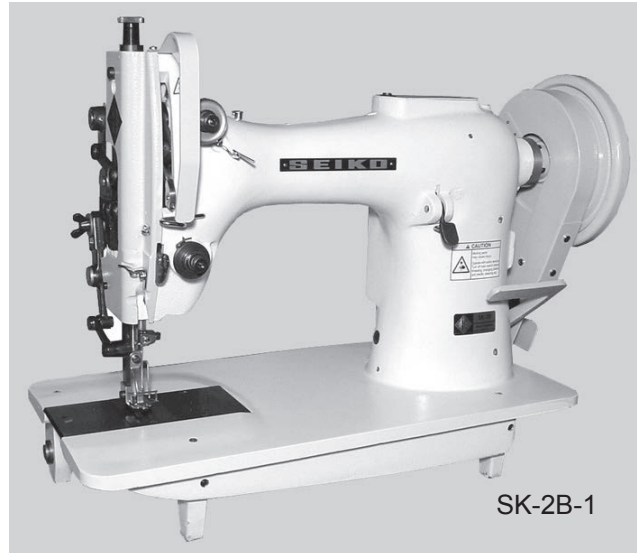


SK series

Single needle, Extra heavy duty, Large horizontal axis hook,
Drop feed and walking foot, Reverse stitch, Lockstitch machines

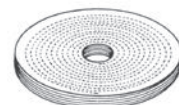
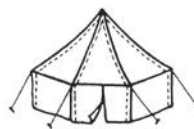


Variety

SK-2B-1

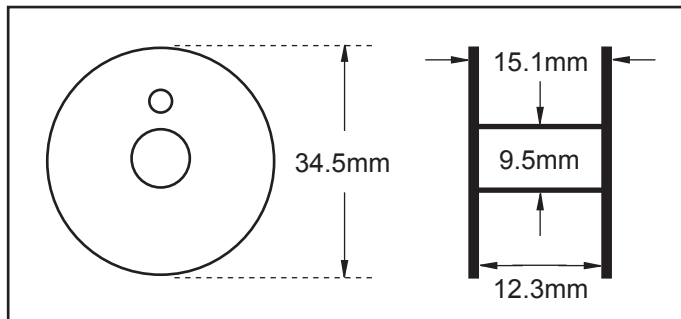
Applications

- For sewing heavy weight leather, canvas, vinyl, and various coated and laminated fabrics
- Suitable for sewing such products as harnesses, covers, safety belts, tents, sheets, gloves, buffs, and heavy duty travel bags.



Features

- Horizontal axis rotary hook with extra large capacity bobbin
- Reverse stitching
- Extra large needle
- 20 inch long arm version available (Add "20" when ordering)



Large bobbin

Specifications

Variety	SK-2B-1	
Number of needle	Single needle	
Max. sewing speed	1,200 s.p.m.	
Max. stitch length	1/2" (13 mm)	
Clearance under presser foot	by pedal	35/64" (14 mm)
	by hand	1/2" (13 mm)
Needle bar stroke	2" (50.8 mm)	
Needle(standard)	DDx1 (#24) , 328 (#180)	
Thread	#0 - #5 (standard #5)	
Hook	Large horizontal axis hook	
Amount of lift of presser foot	1/8"-15/64" (3 - 6 mm)	
Thread take up lever	Link type	
Lubrication	Hand type	
Bed size	20-15/32" x 9-27/32" (520 x 250 mm)	
Working space	10"x 7-31/64" (253 x 190 mm)	
Motor	Clutch motor	
Net weight(Head only)	44Kg	

NOTE: (1) Speed depends on threads, materials and type of operation
 (2) Specifications subject to change without notice



SEIKO SEWING MACHINE CO., LTD.

2-13-6, Sakaecho, Funabashi-shi
 Chiba Prefecture, 273-0018, Japan

Phone : +81-47-420-3561 (Overseas dept.)

Fax : +81-47-420-3560

E-mail : export@seiko-sewing.co.jp

Printed in Japan 2015.08

<http://www.seiko-sewing.co.jp/>